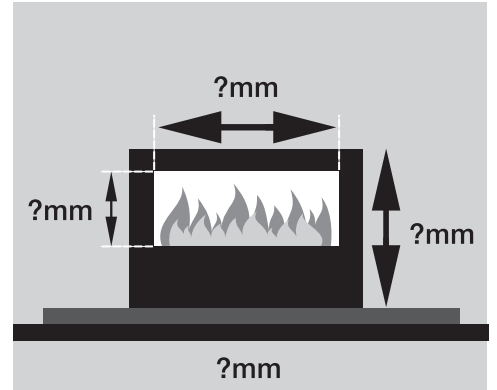


HIGHGATE FIREGUARD

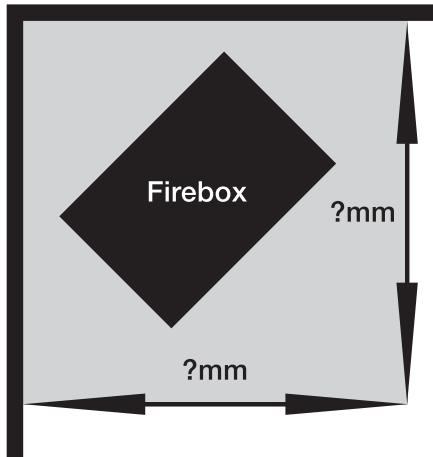
Thank you for considering a Highgate Fireguard.

1. Please indicate below whether you require a **free quotation**, or are **ordering** a fireguard to be made:
 - To quote
 - To order
2. Please indicate below the style required to fit your fireplace and hearth:
 - Corner-2
 - Corner-3
 - Flatwall-3
 - Flatwall-5
 - Other – please draw the shape that you require on a sheet of paper and write on your drawing the measurements, then send/fax it to us with this completed form.
3. **First**, measure the firebox and show this on the top graphic. **Second**, measure the outside edge of the hearth and provide this info on the graphic of the style that you require.
4. Please indicate colour:
 - Black
 - Other – either specify a paint colour from a colour chart or send a colour sample.
 Paint brand, colour name and code:

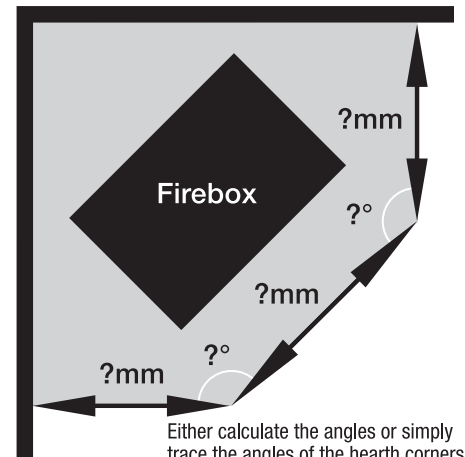
FIREBOX SPECS



CORNER-2



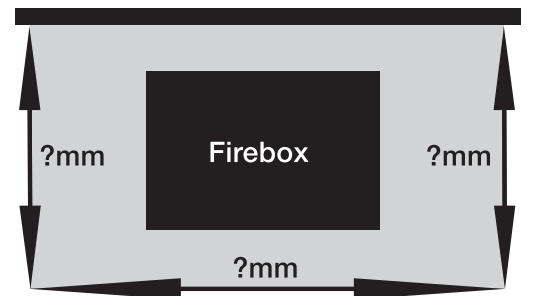
CORNER-3



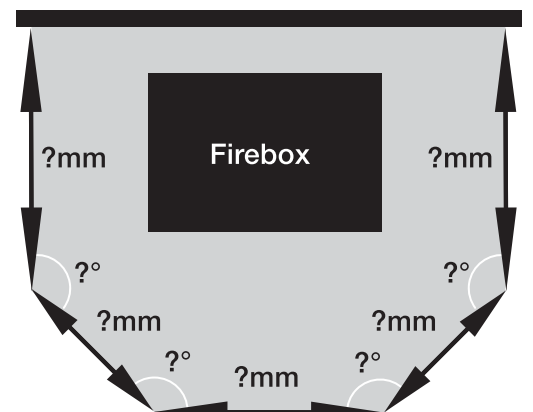
Either calculate the angles or simply trace the angles of the hearth corners on a sheet of paper and send to us.

5. Please indicate which other Highgate products you require. We will happily supply you with a free quotation:
 - Spark guards Heater guards
 - Coal buckets Log stands (see photo on front)
 - Coal shovels Pokers
6. Please indicate whether you wish to collect your purchase from Otago Wireworks, 28 McBride Street, South Dunedin, or you wish it to be freighted to the address shown below. The cost of freight is additional.
 - I will collect Please deliver to the address shown below
7. Payment is by either cash on collection, or cheque payable to Otago Wireworks.

FLATWALL-3



FLATWALL-5



Name _____

Address _____

Phone no. _____ Fax no. _____

Email _____